

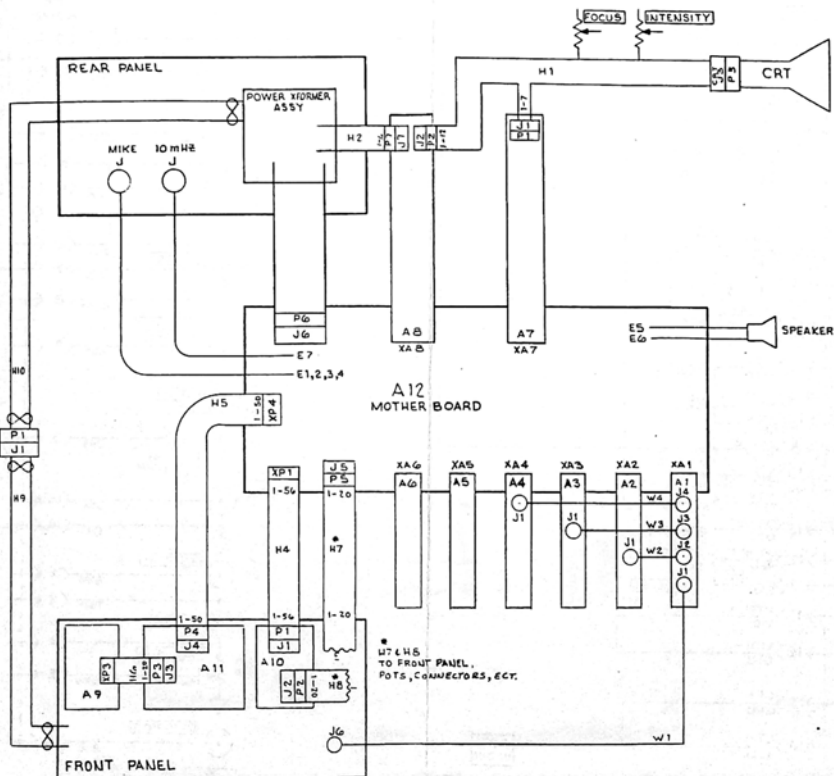
THIS DOCUMENT CONTAINS INFORMATION PROPRIETARY TO WAVETEK. THE INFORMATION IN THIS DOCUMENT IS NOT TO BE USED OR DUPLICATED IN ANY MANNER WITHOUT THE PRIOR APPROVAL IN WRITING OF WAVETEK.

WAVETEK			
FRONT PANEL WIRING			
MATERIAL:	DESIGN BY LTS	DATE	REV. 1-B-B2
FINISH:	DRAWN BY R.V.	DATE	074-75-0003
ARTWORK #	DESIGNATION	REVISION	

TOLERANCE  
DECIMAL DIM ± .005  
FRACTIONAL DIM ± 1/4  
ANGLES ± 30°  
UNLESS OTHERWISE SPECIFIED

ECN 127-02

RELEASED 10-26-82

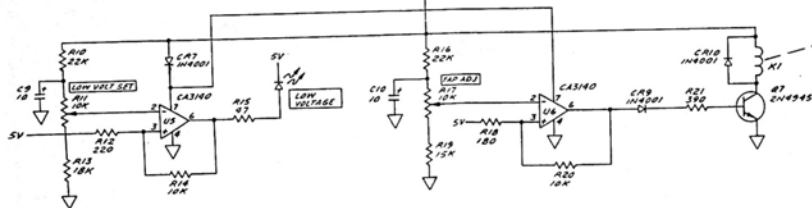
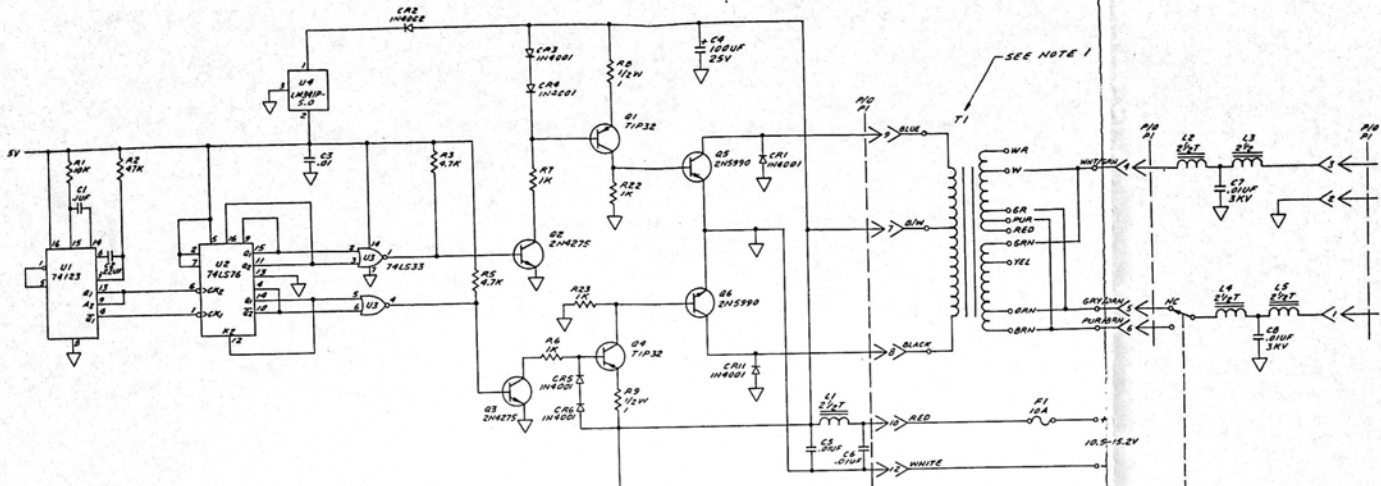


THIS DOCUMENT CONTAINS INFORMATION PROPRIETARY TO WAVETEK.  
 THE INFORMATION IN THIS DOCUMENT IS NOT TO BE USED OR DUPLICATED  
 IN ANY MANNER WITHOUT THE PRIOR APPROVAL IN WRITING OF WAVETEK

MATERIAL		WAVETEK, INC.		
<b>3000 CABLE DIAGRAM</b>				
FINISH:	DRAWN BY:	DATE:	DATE:	
ENG'D:	CHK'D:	DATE:	REVISION NO.	
REVISED BY:	DATE:	NETWORK ID:		3714

TOLERANCE:  
 DECIMAL DIM. ± .005  
 FRACTIONAL DIM. ± 1/4  
 ANGLES ± 30°  
 UNLESS OTHERWISE  
 SPECIFIED

NO.	DESCRIPTION:	BY:
	REVISION:	



VOLTAGE	SWBAT	CONNECTIONS TO TERMINALS N I S B	NOT USED
220	NWT/GRN	YEL GRY	RED WHT/RED PURPLE GREEN YELLOW ORANGE BLACK
230	NWT/GRN	GRN GRY	RED WHT/RED PURPLE GREEN YELLOW ORANGE BLACK
240	NWT/GRN	GRN GRY	RED WHT/RED PURPLE GREEN YELLOW ORANGE BLACK

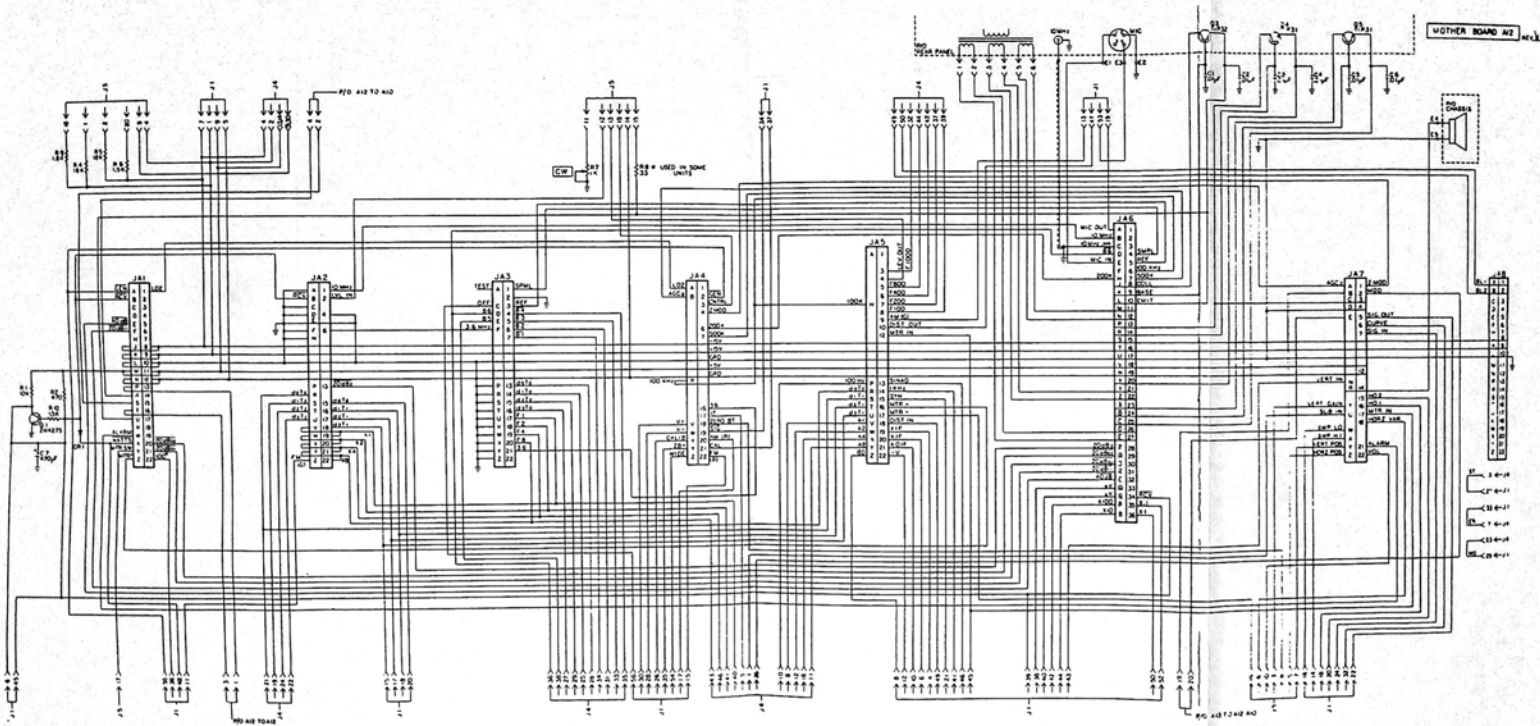
NOTE:

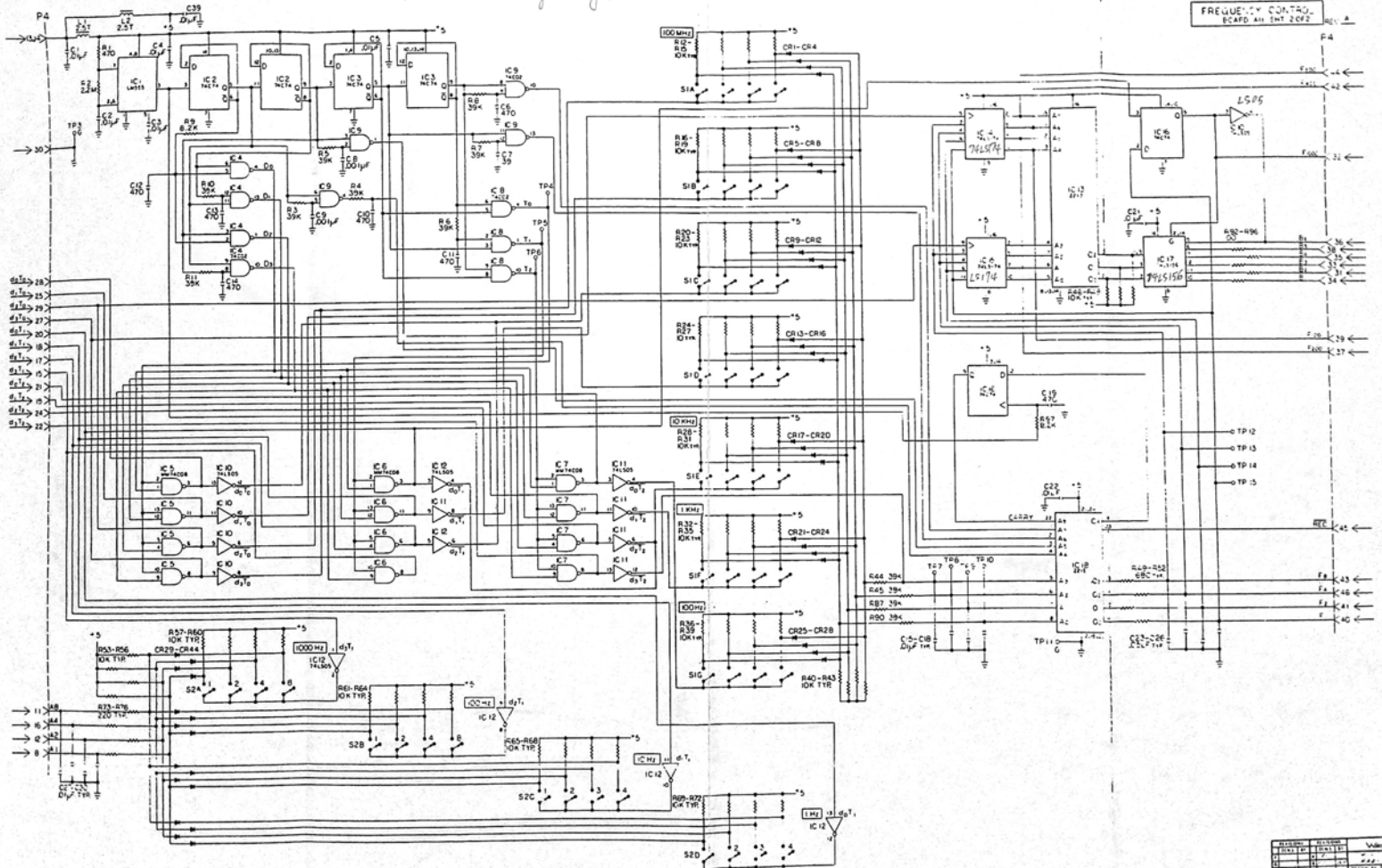
1. TRANSFORMER (T1) AS SHOWN IS WIRED FOR 117V NOMINAL OUTPUT SEE TABULATED TABLE FOR OTHER TRANSFORMER OUTPUTS.
2. LOW VOLTAGE SET ADJUSTMENT IS MADE TO CAUSE LOW VOLTAGE LED TO LIGHT AS INPUT DECREASES TO 10.6 VOLTS
3. TAP ADJUSTMENT IS MADE TO CAUSE RELAY TO ENERGIZE AS INPUT DECREASES TO 10.5 VOLTS

SPECTRUM SPECIALTIES INC  
 SANTA CLARA CAL (408) 737-7374  
 Model # 2100E  
 Rev. 2/17/81  
 Inverter # C  
 6601-0011

A12

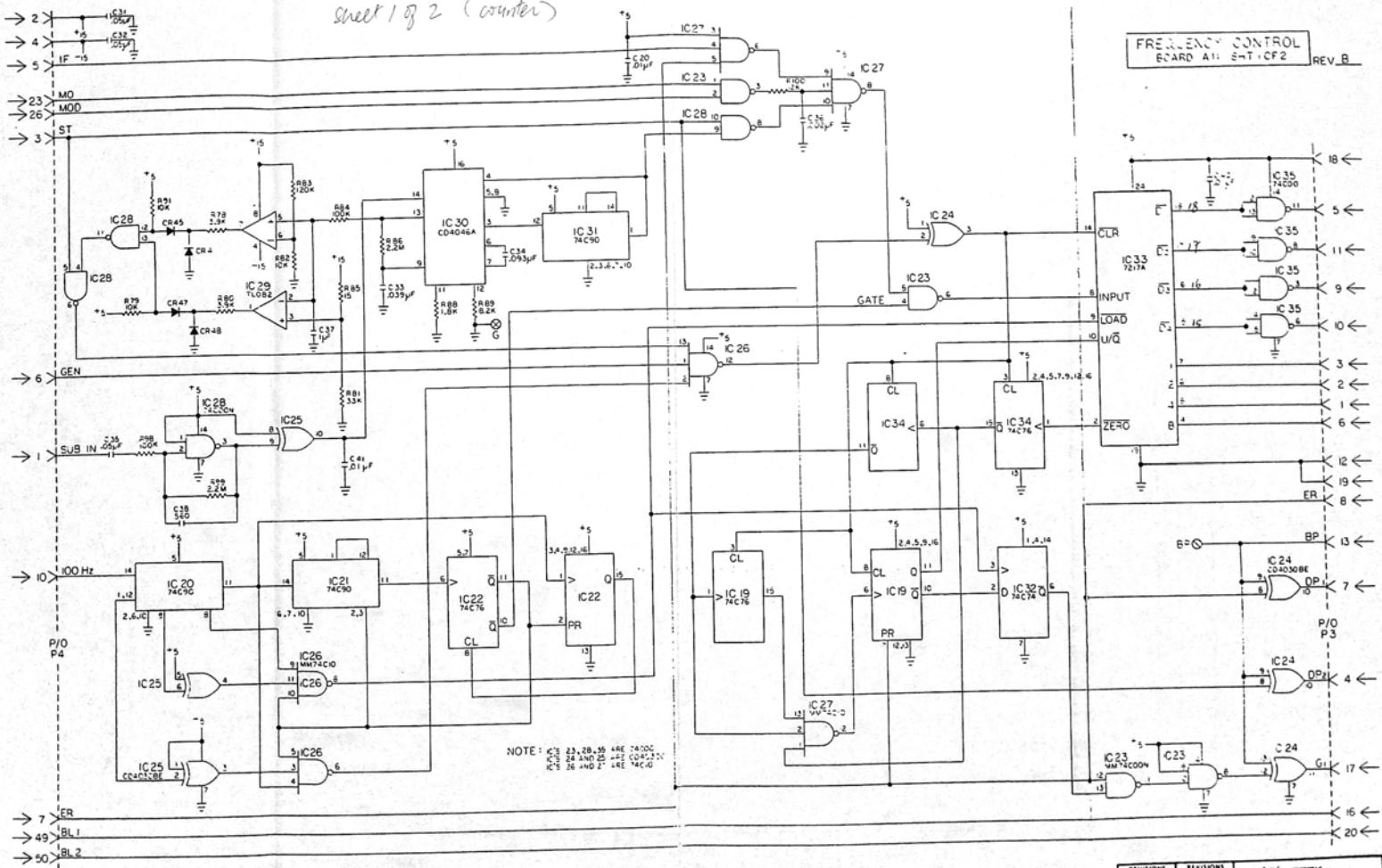
MOTHER BOARD  
TOP SIDE





REF ID	VALUE	RESISTOR	CAPACITOR	VALUE	RESISTOR	CAPACITOR
R1	10K	10K	C1	100NF	100NF	100NF
R2	10K	10K	C2	100NF	100NF	100NF
R3	10K	10K	C3	100NF	100NF	100NF
R4	10K	10K	C4	100NF	100NF	100NF
R5	10K	10K	C5	100NF	100NF	100NF
R6	10K	10K	C6	100NF	100NF	100NF
R7	10K	10K	C7	100NF	100NF	100NF
R8	10K	10K	C8	100NF	100NF	100NF
R9	10K	10K	C9	100NF	100NF	100NF
R10	10K	10K	C10	100NF	100NF	100NF

**FREQUENCY CONTROL**  
 BOARD A11: S-T-CF2 REV. B



NOTE: IC 23, 28, 35 ARE 74C00;  
 IC 20, 21, 22, 25, 26, 27, 29, 30, 31, 32, 33, 34, 36 ARE 74C90;  
 IC 33 IS 74174.

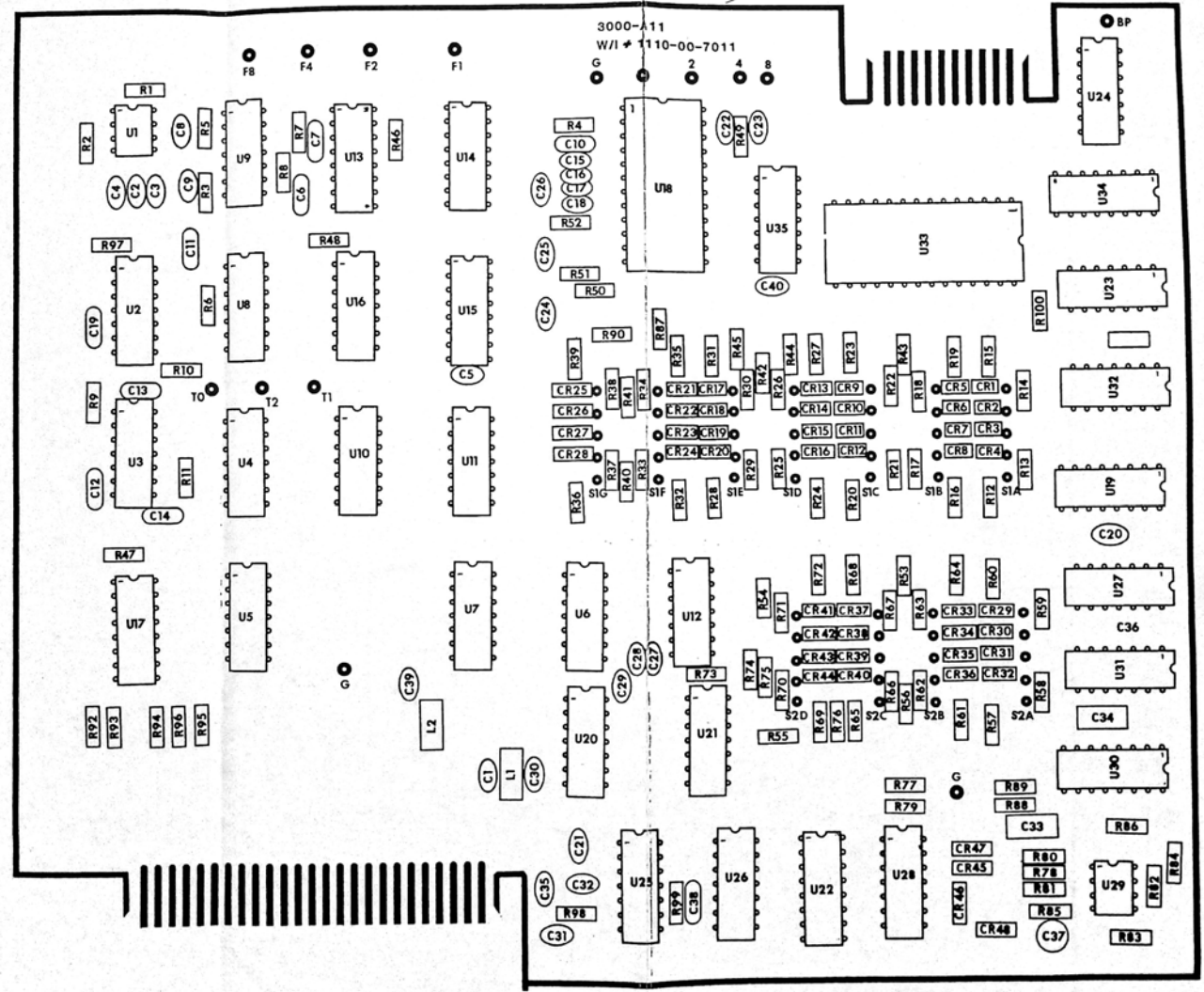
REVISIONS		REVISIONS		WAVETEK	
ICMS BY	DATE	ICMS BY	DATE	DESIGN BY	NUMBER
1		A			
2		B			
3		C			
4		D			
5		E			

Drawn BY: DATE: NUMBER: 11/10/76

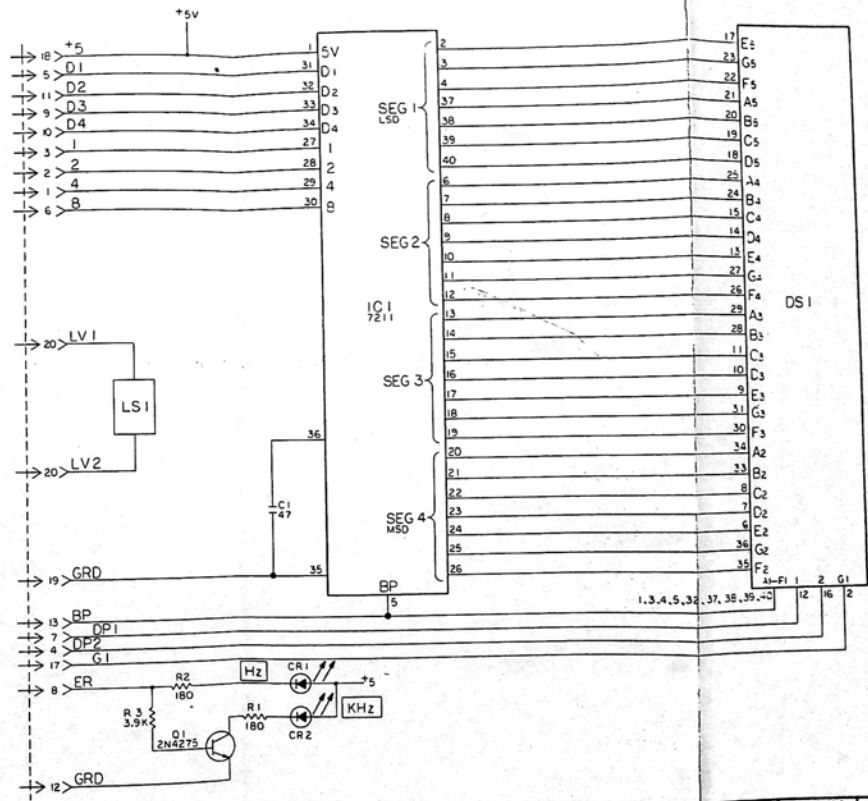




3000-A11  
W/I # 110-00-7011



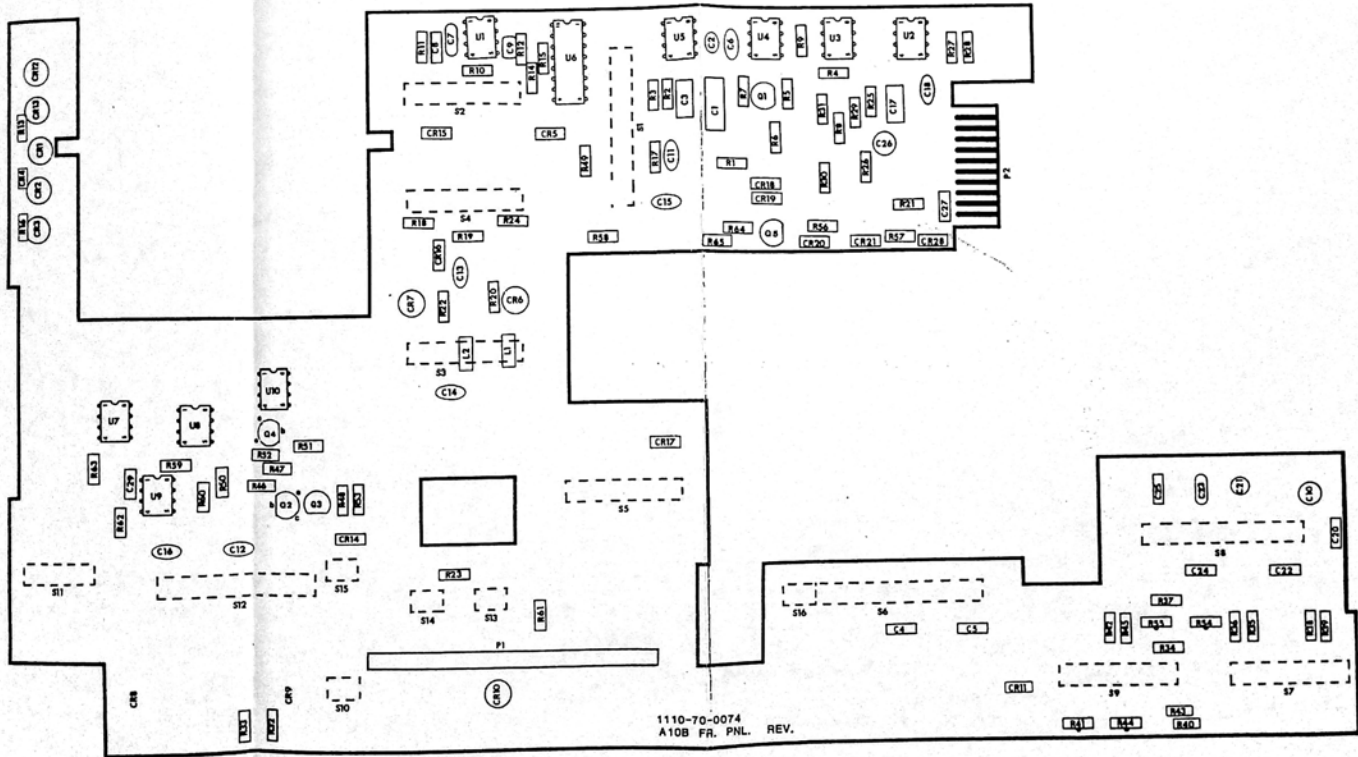
DISPLAY BOARD A9



REVISIONS		REVISIONS		WAVETEK		
REV	BY	ECN'S	BY	DATE	NUMBER	
A						
B						
C						
D						
E						

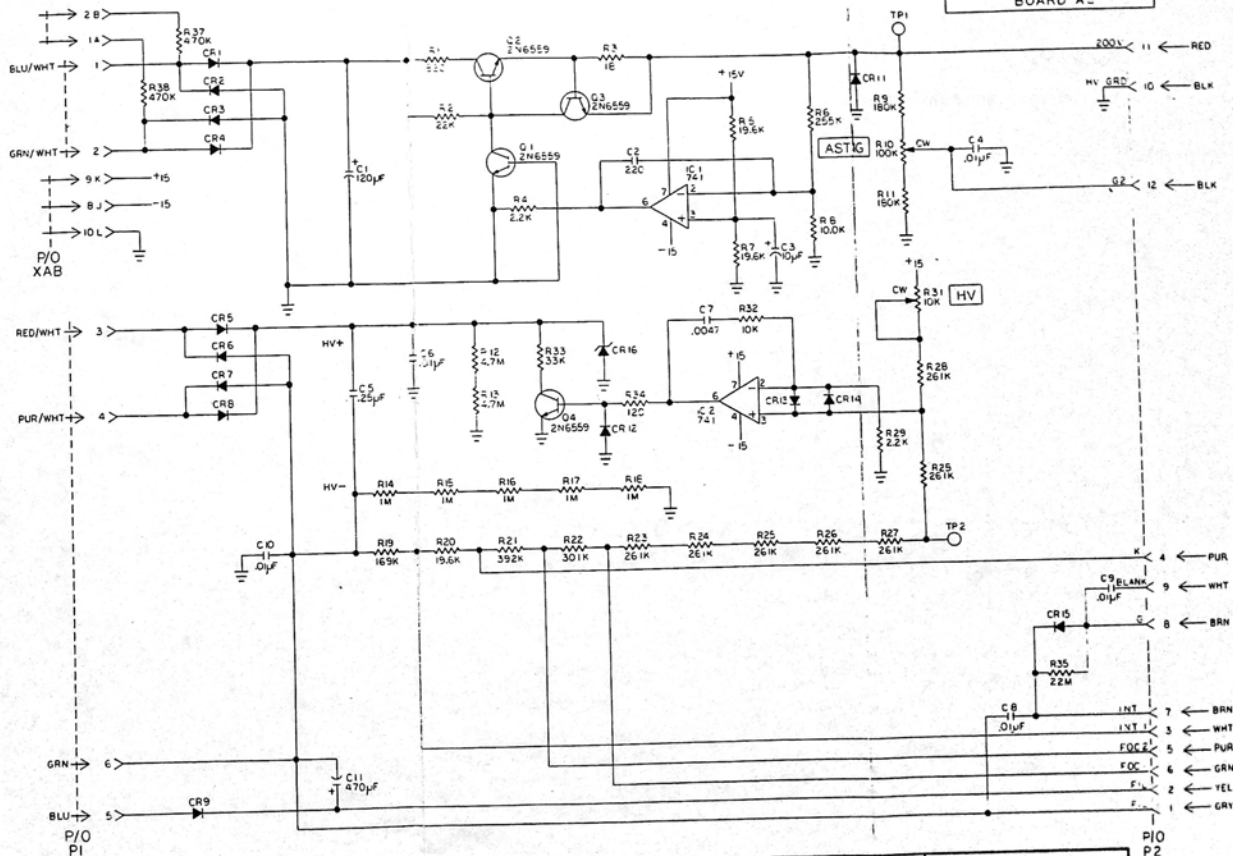
DRAWN BY: *[Signature]* DATE: *[Date]* NUMBER: *[Number]*  
 APP'D: *[Signature]*

A10B



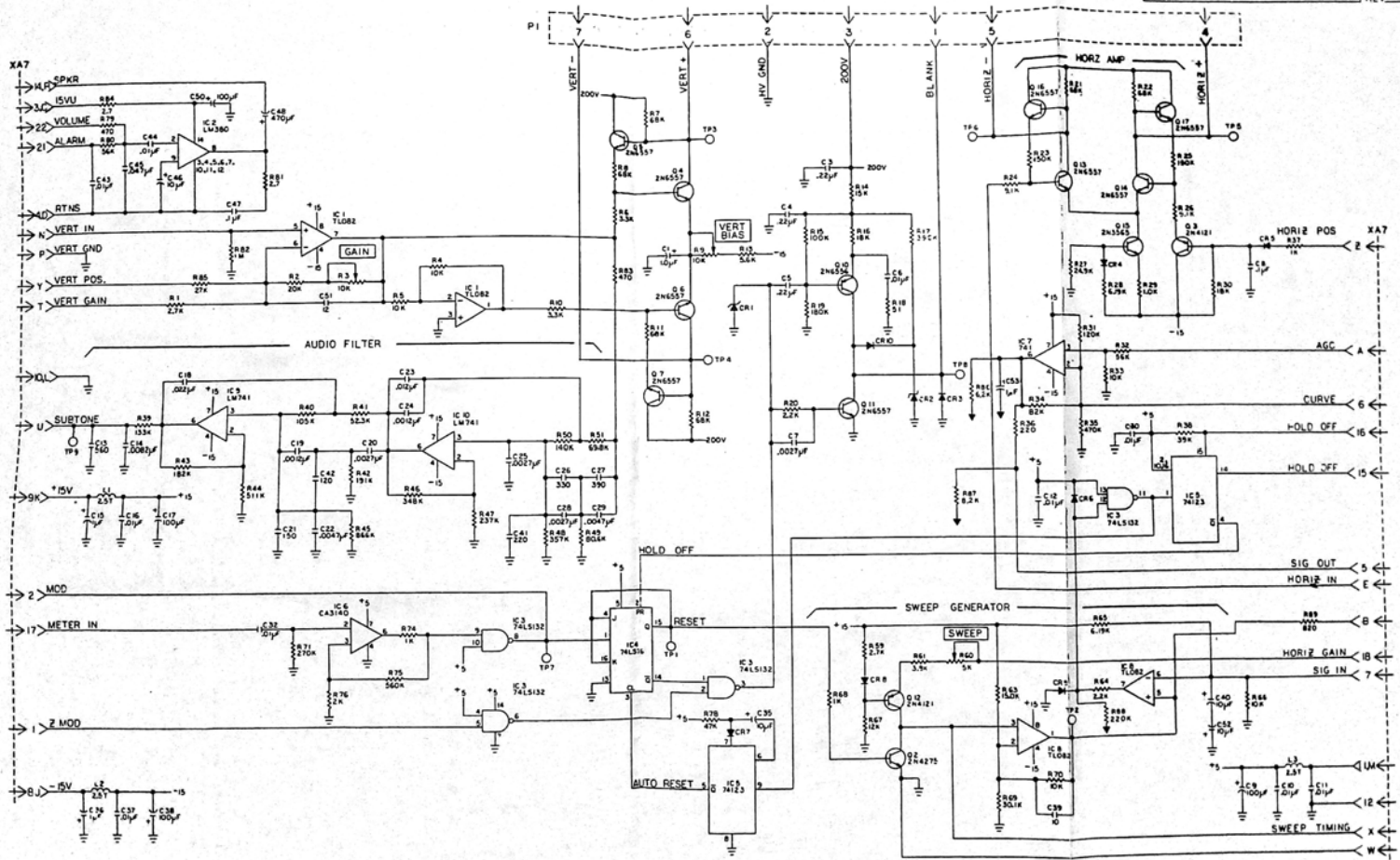
1110-70-0074  
A10B FR. PNL. REV.

# HIGH VOLTAGE P.S. BOARD AS

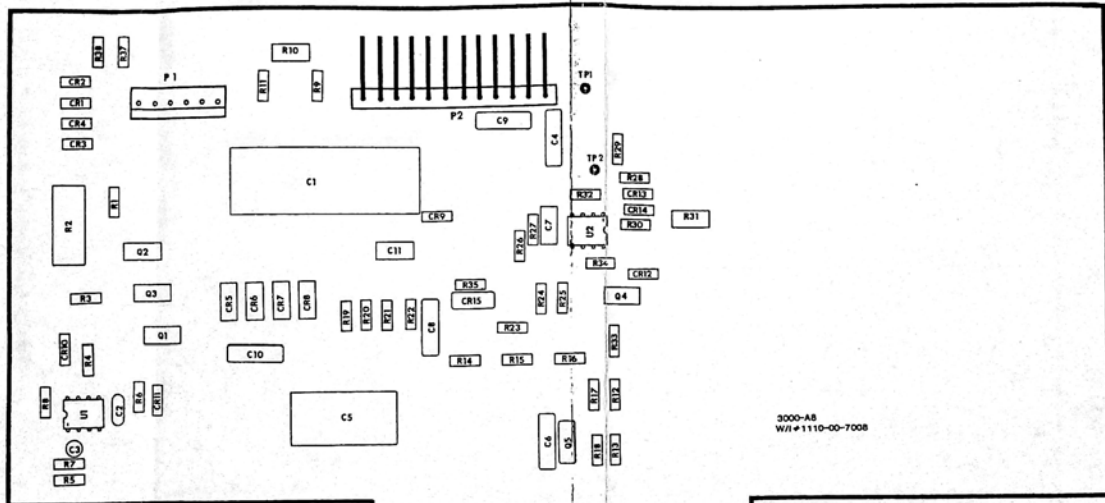


REVISIONS		REVISIONS		WAVETEK	
I	ICNS BY	A	ICNS BY	DATE	NUMBER
F				10/10/77	1
G		B		11/10/77	2
H		C			
I		D			
J		E			

DRAWN BY: *200/10/77* DATE: *7/73* NUMBER: *1-20-77*  
 APP'D:



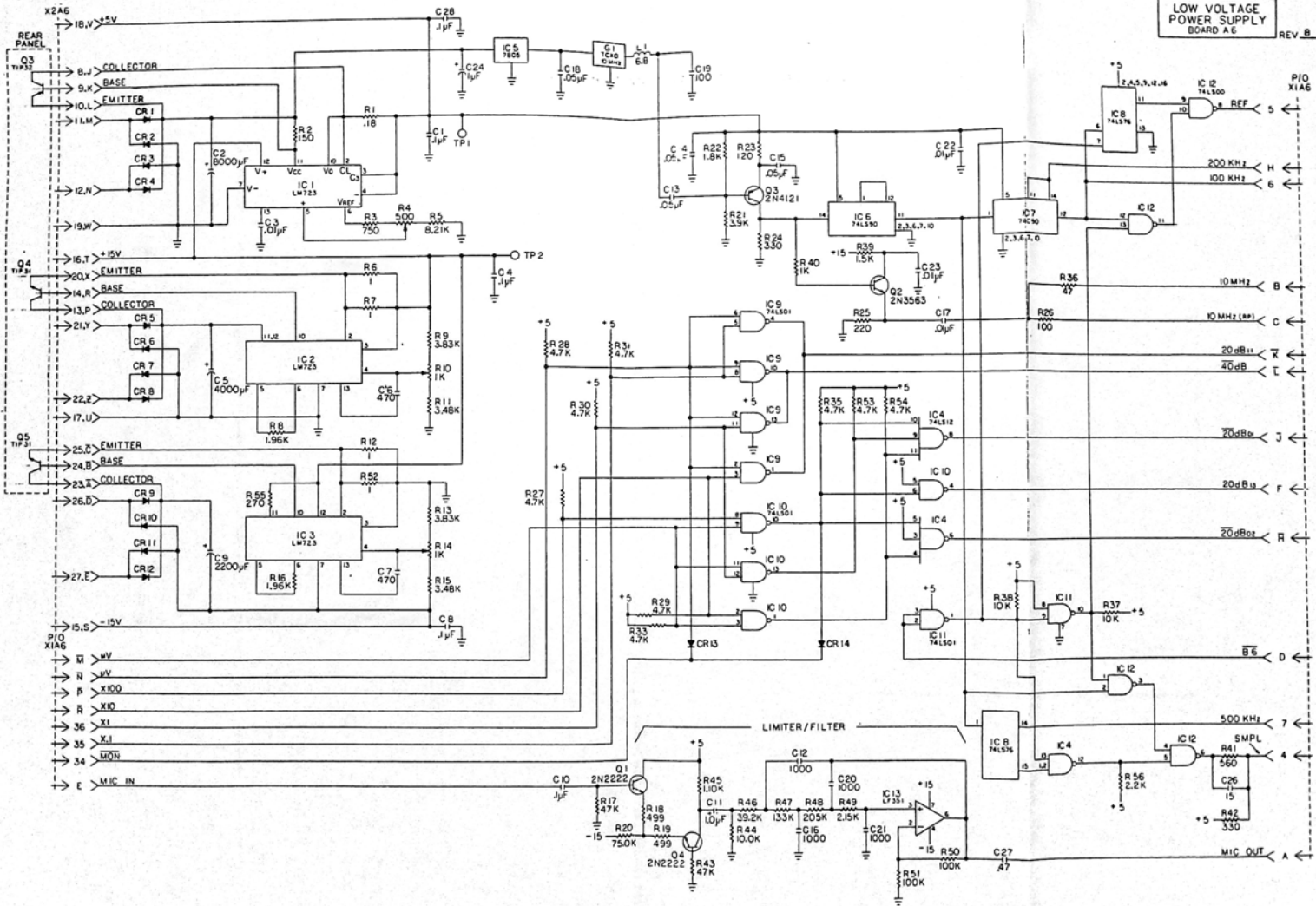
A8



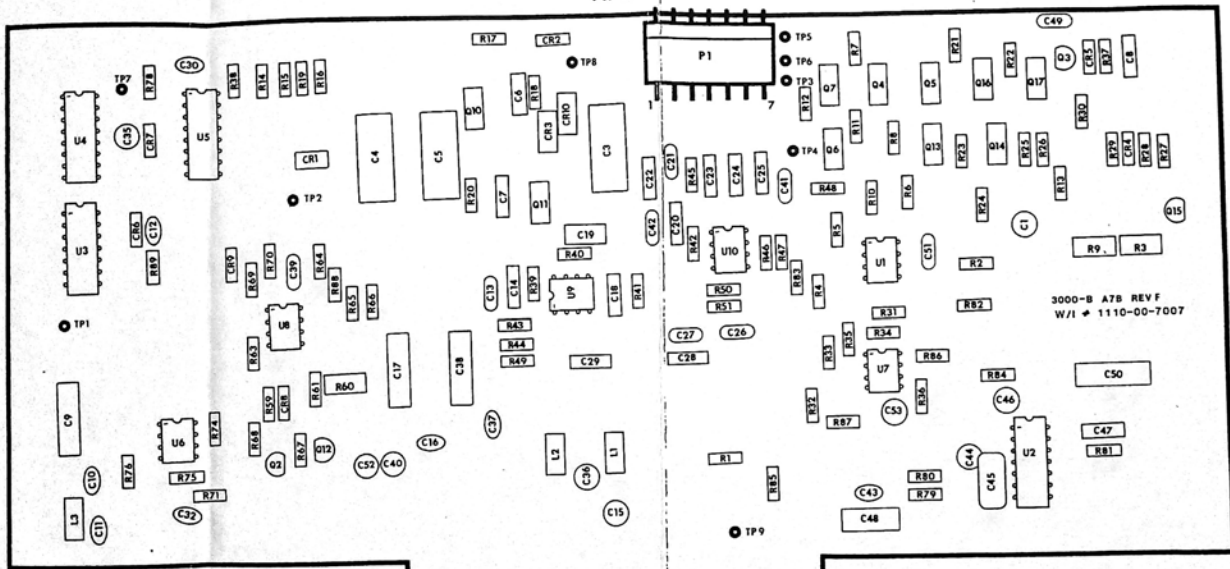
3000-A8  
W/11110-00-7008

6

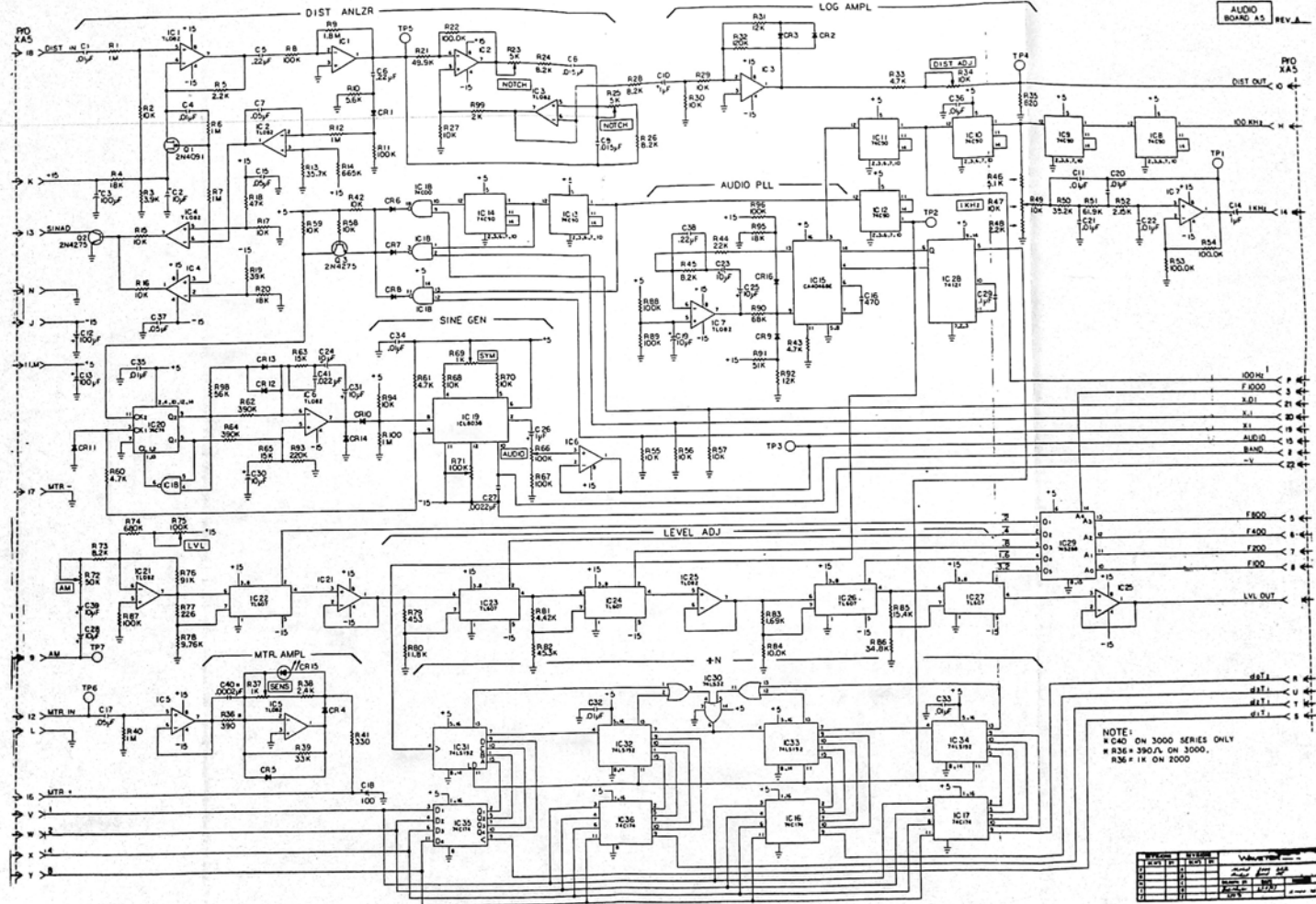
6



A7B



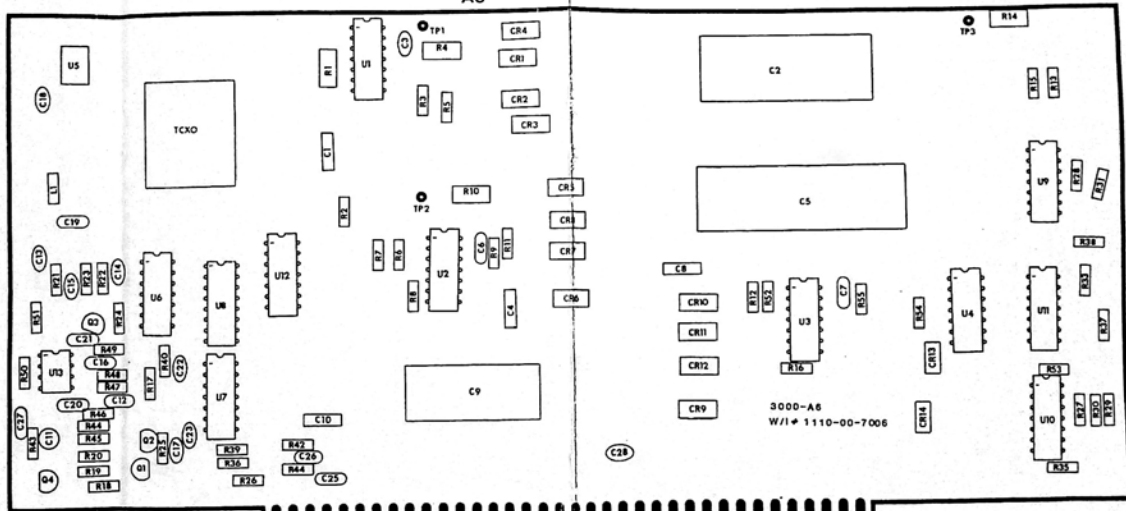




NOTE:  
 \* C40 ON 3000 SERIES ONLY  
 \* R36 = 390Ω ON 3000,  
 R36 = 1K ON 2000

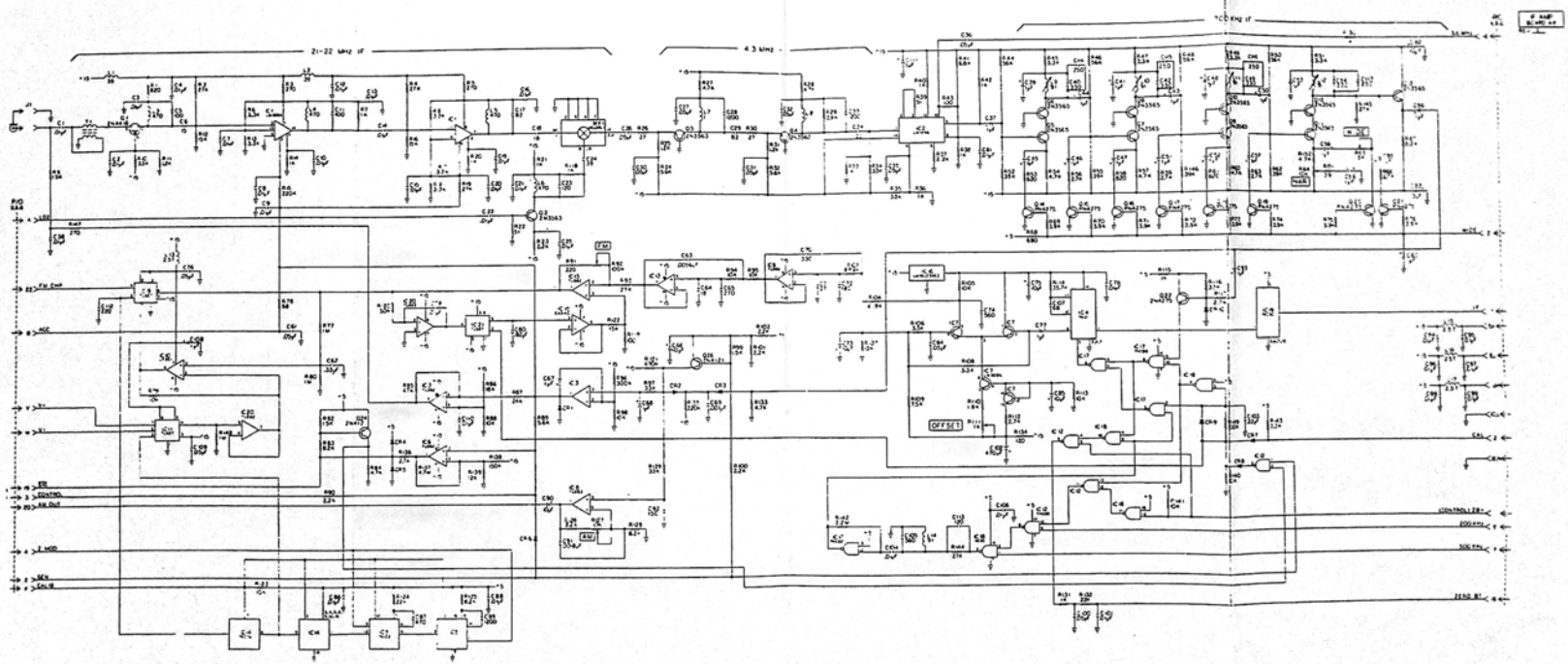
REF. NO.	VALUE	QUANTITY	VALUES
C1-C300	VARIOUS	VARIOUS	VARIOUS
R1-R300	VARIOUS	VARIOUS	VARIOUS
IC1-IC300	VARIOUS	VARIOUS	VARIOUS
CR1-CR300	VARIOUS	VARIOUS	VARIOUS
TP1-TP4	VARIOUS	VARIOUS	VARIOUS

A6



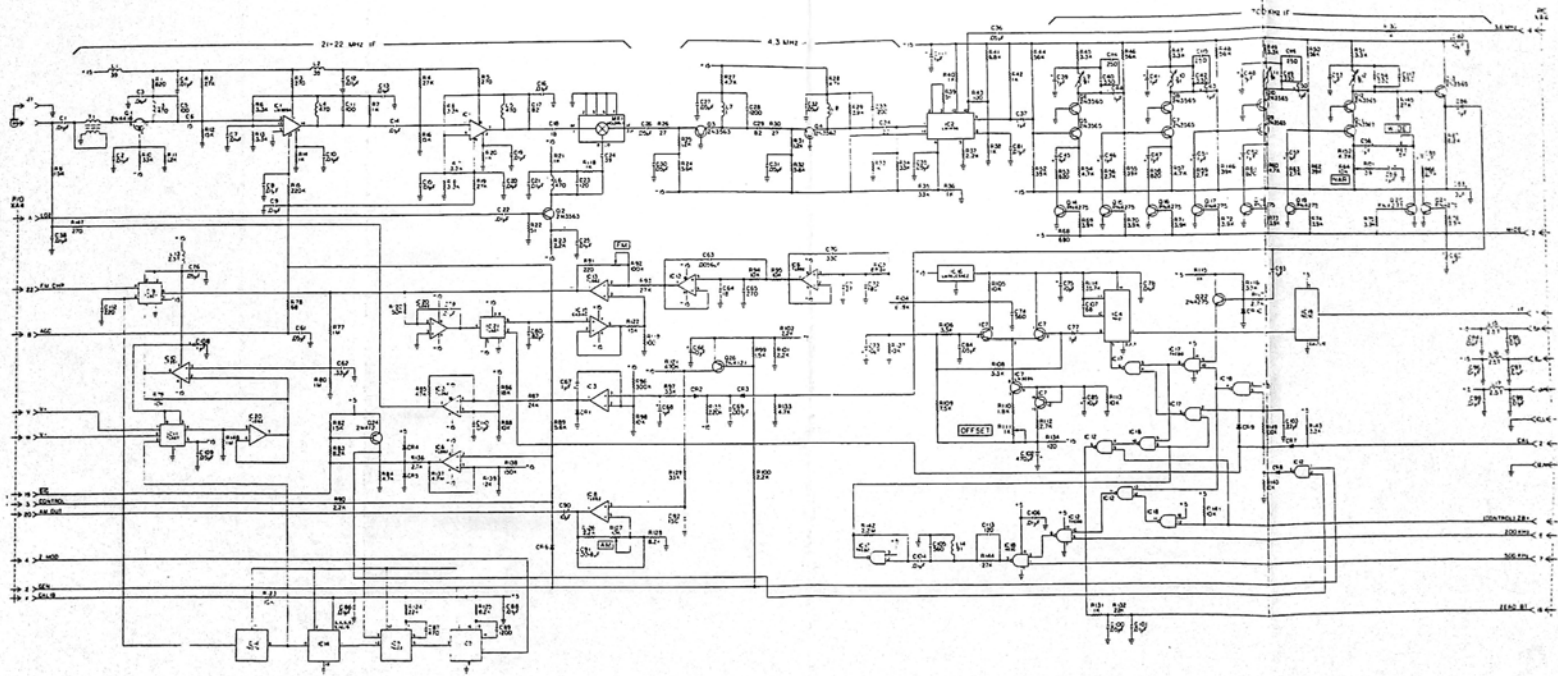
6

6



# 100

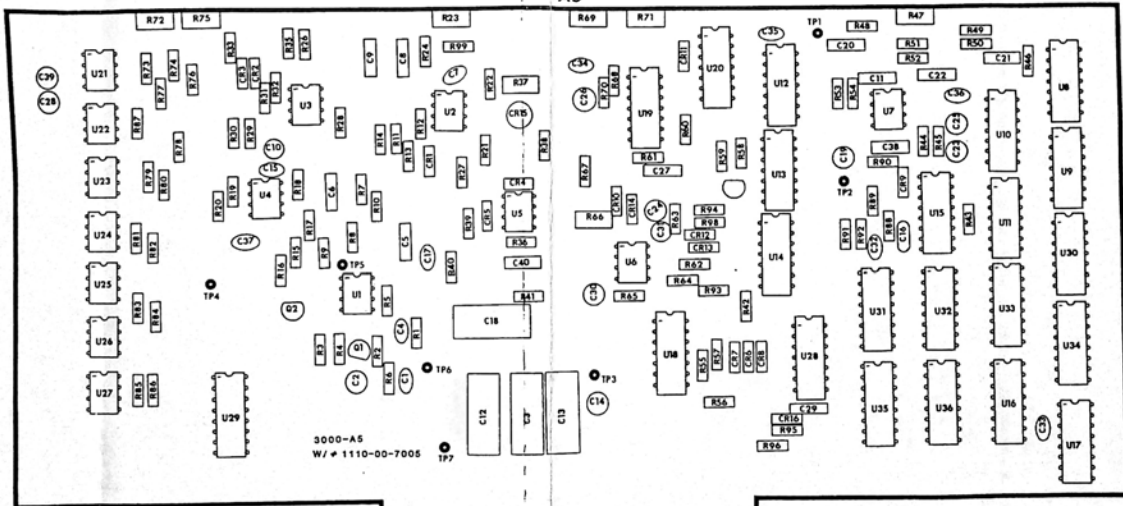




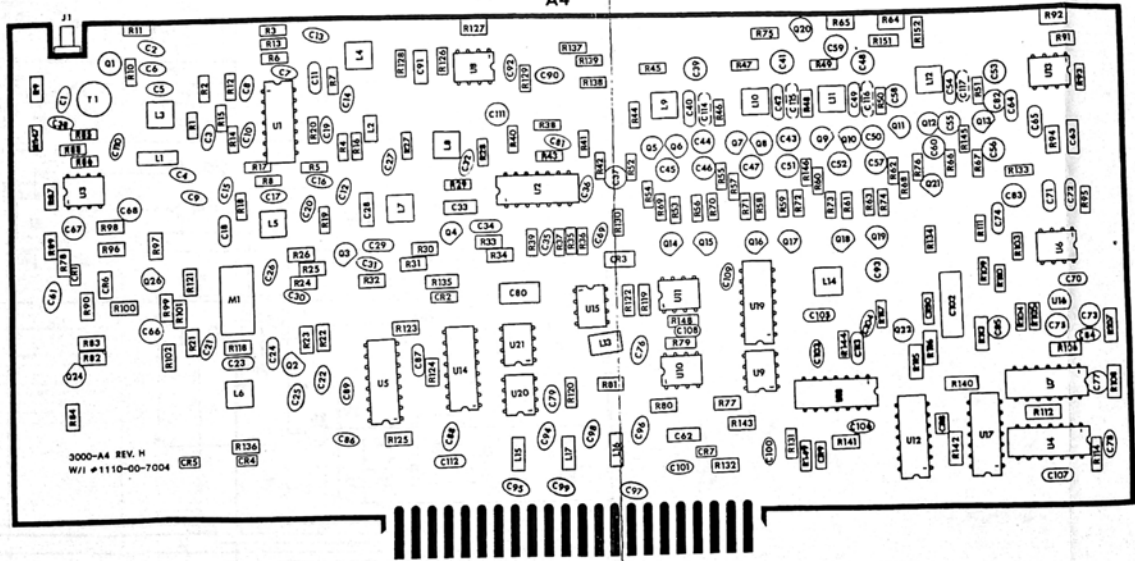
4 AMP  
1000 Hz



A5

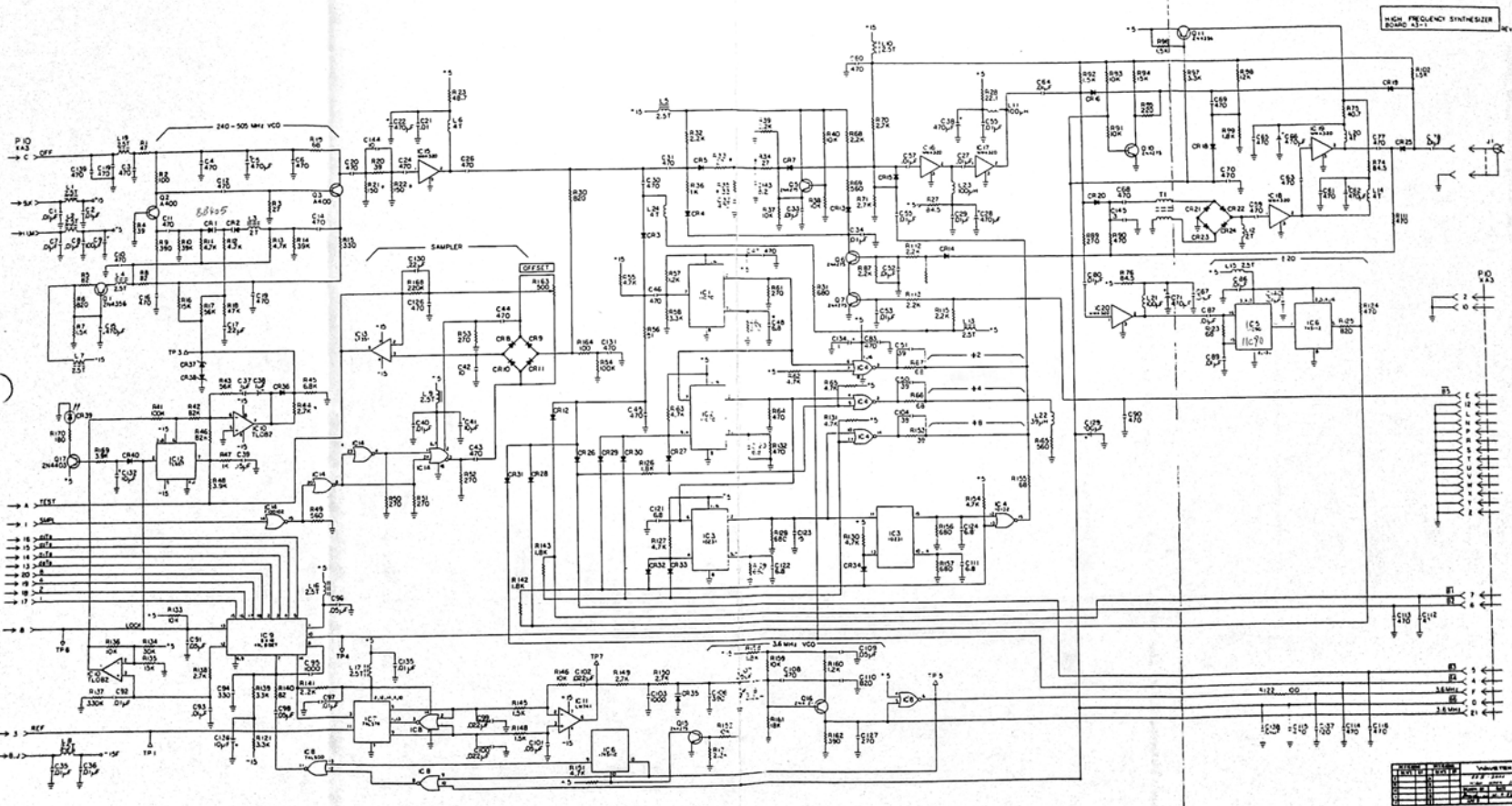


A4



3000-A4 REV. H  
W/I #1110-00-7004

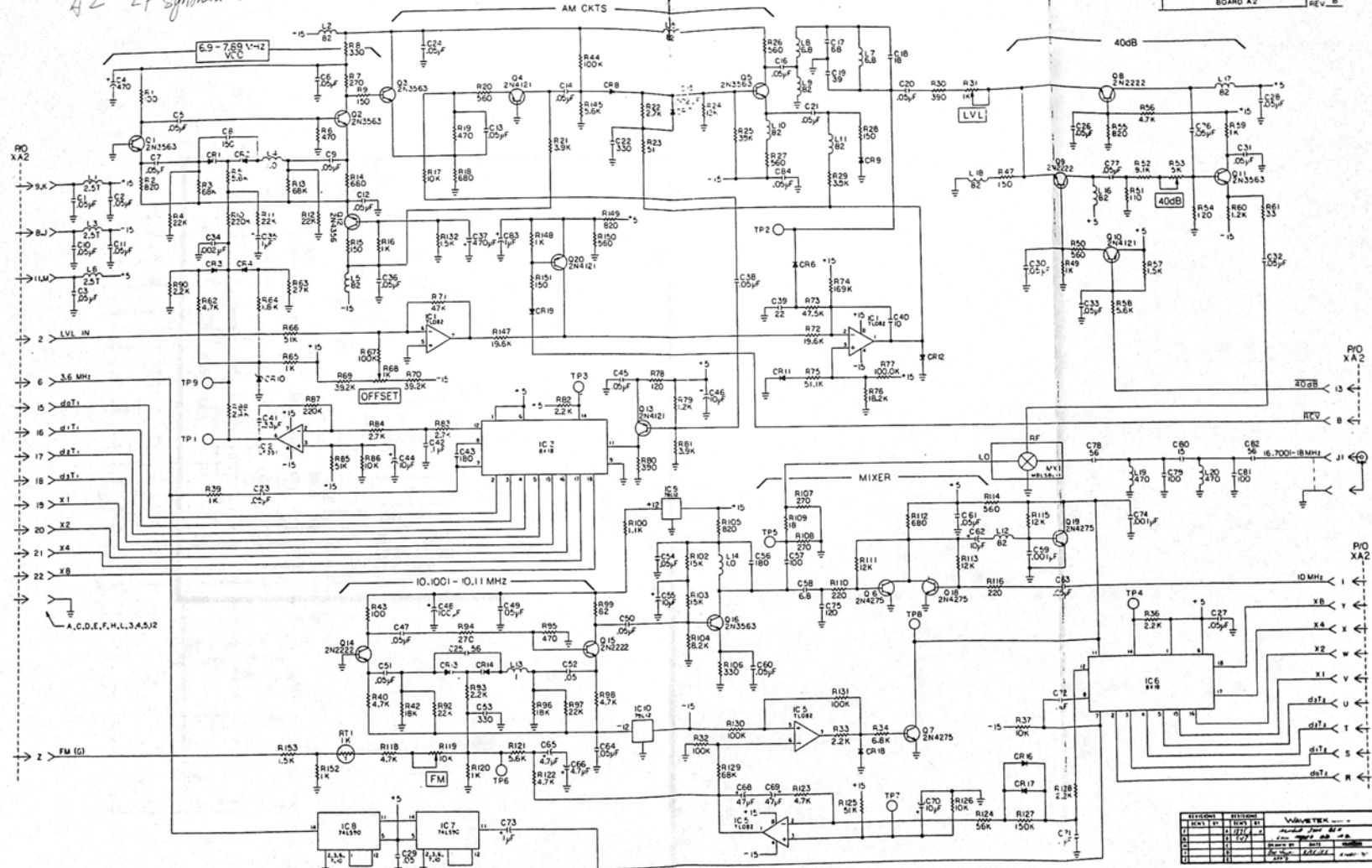
A3 HF Synthesizer



IC	Part No.	Value
IC1	741	OP AMP
IC2	741	OP AMP
IC3	741	OP AMP
IC4	741	OP AMP
IC5	741	OP AMP
IC6	741	OP AMP
IC7	741	OP AMP
IC8	741	OP AMP
IC9	741	OP AMP
IC10	741	OP AMP
IC11	741	OP AMP
IC12	741	OP AMP
IC13	741	OP AMP
IC14	741	OP AMP
IC15	741	OP AMP
IC16	741	OP AMP
IC17	741	OP AMP
IC18	741	OP AMP
IC19	741	OP AMP
IC20	741	OP AMP
IC21	741	OP AMP
IC22	741	OP AMP
IC23	741	OP AMP
IC24	741	OP AMP
IC25	741	OP AMP
IC26	741	OP AMP
IC27	741	OP AMP
IC28	741	OP AMP
IC29	741	OP AMP
IC30	741	OP AMP
IC31	741	OP AMP
IC32	741	OP AMP
IC33	741	OP AMP
IC34	741	OP AMP
IC35	741	OP AMP
IC36	741	OP AMP
IC37	741	OP AMP
IC38	741	OP AMP
IC39	741	OP AMP
IC40	741	OP AMP
IC41	741	OP AMP
IC42	741	OP AMP
IC43	741	OP AMP
IC44	741	OP AMP
IC45	741	OP AMP
IC46	741	OP AMP
IC47	741	OP AMP
IC48	741	OP AMP
IC49	741	OP AMP
IC50	741	OP AMP
IC51	741	OP AMP
IC52	741	OP AMP
IC53	741	OP AMP
IC54	741	OP AMP
IC55	741	OP AMP
IC56	741	OP AMP
IC57	741	OP AMP
IC58	741	OP AMP
IC59	741	OP AMP
IC60	741	OP AMP
IC61	741	OP AMP
IC62	741	OP AMP
IC63	741	OP AMP
IC64	741	OP AMP
IC65	741	OP AMP
IC66	741	OP AMP
IC67	741	OP AMP
IC68	741	OP AMP
IC69	741	OP AMP
IC70	741	OP AMP
IC71	741	OP AMP
IC72	741	OP AMP
IC73	741	OP AMP
IC74	741	OP AMP
IC75	741	OP AMP
IC76	741	OP AMP
IC77	741	OP AMP
IC78	741	OP AMP
IC79	741	OP AMP
IC80	741	OP AMP
IC81	741	OP AMP
IC82	741	OP AMP
IC83	741	OP AMP
IC84	741	OP AMP
IC85	741	OP AMP
IC86	741	OP AMP
IC87	741	OP AMP
IC88	741	OP AMP
IC89	741	OP AMP
IC90	741	OP AMP
IC91	741	OP AMP
IC92	741	OP AMP
IC93	741	OP AMP
IC94	741	OP AMP
IC95	741	OP AMP
IC96	741	OP AMP
IC97	741	OP AMP
IC98	741	OP AMP
IC99	741	OP AMP
IC100	741	OP AMP

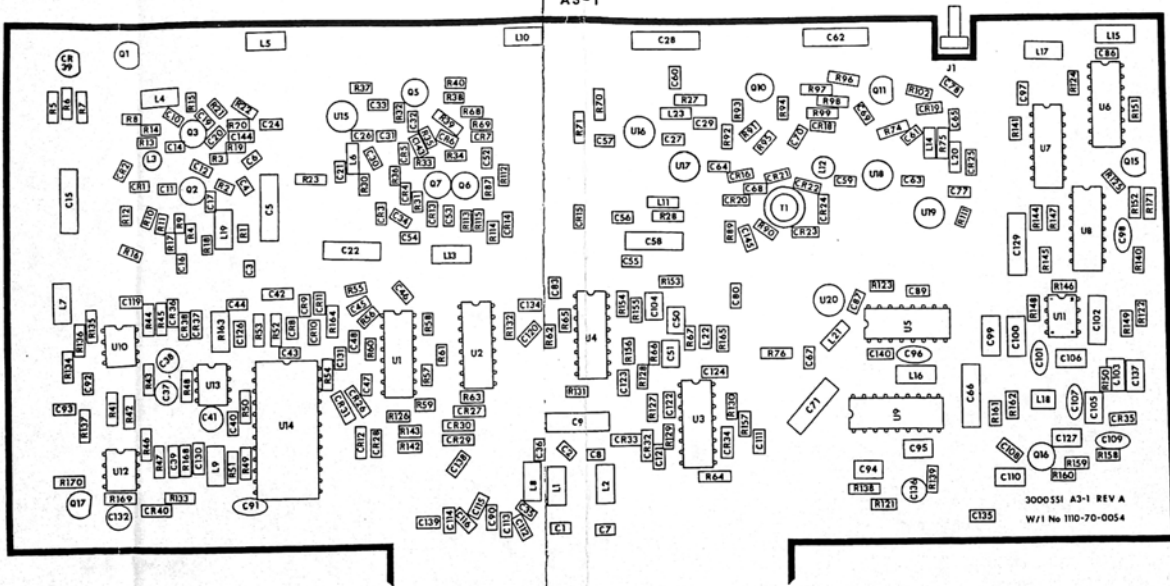
A2 LF Synthesizer

LOW FREQUENCY PULL BOARD A2 REV. B



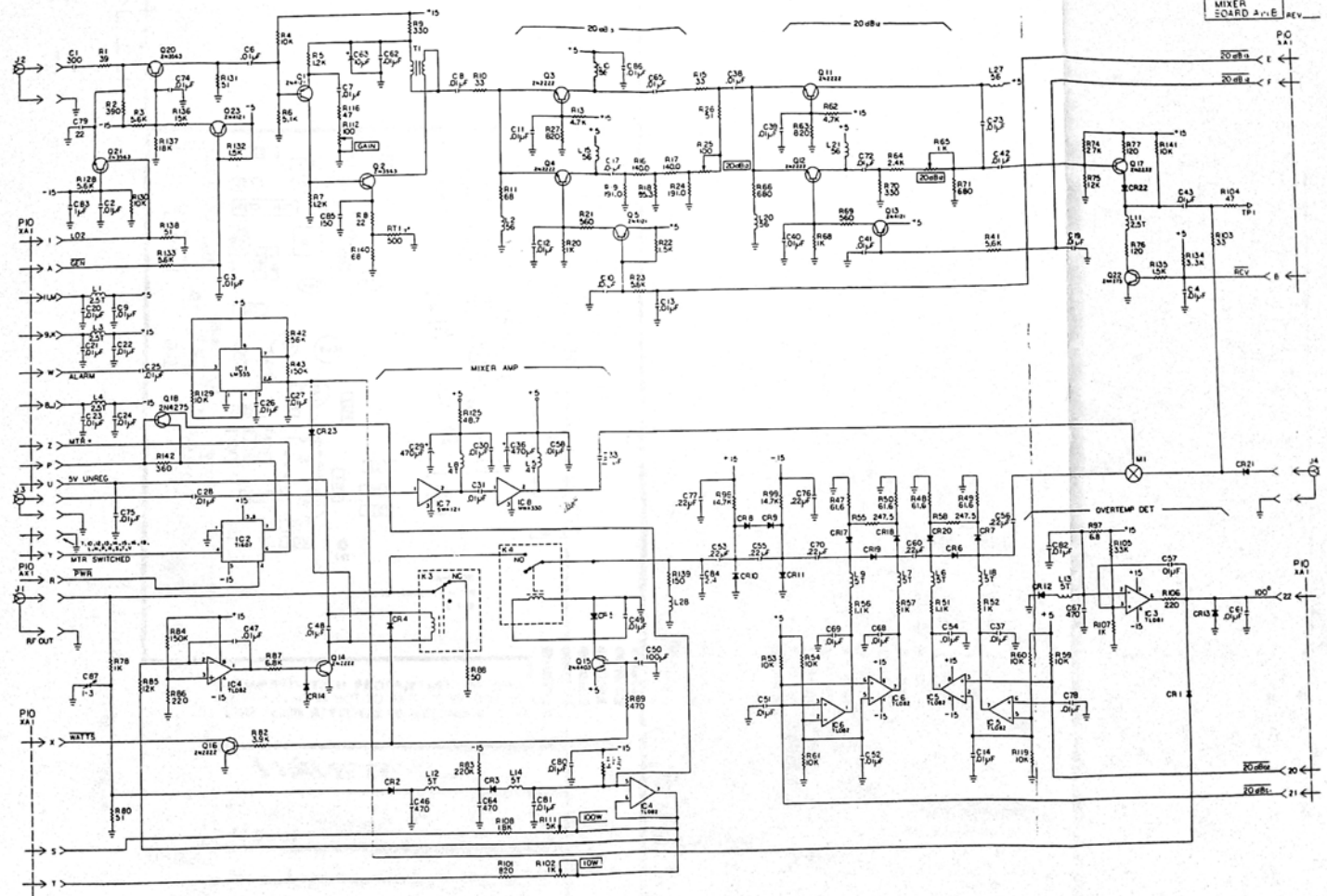
ITEM NO.	DESCRIPTION	QUANTITY	REMARKS
1	IC1 74130	1	
2	IC2 74130	1	
3	IC3 74130	1	
4	IC4 74130	1	
5	IC5 74130	1	
6	IC6 74130	1	
7	IC7 74130	1	
8	IC8 74130	1	
9	IC9 74130	1	
10	IC10 74130	1	



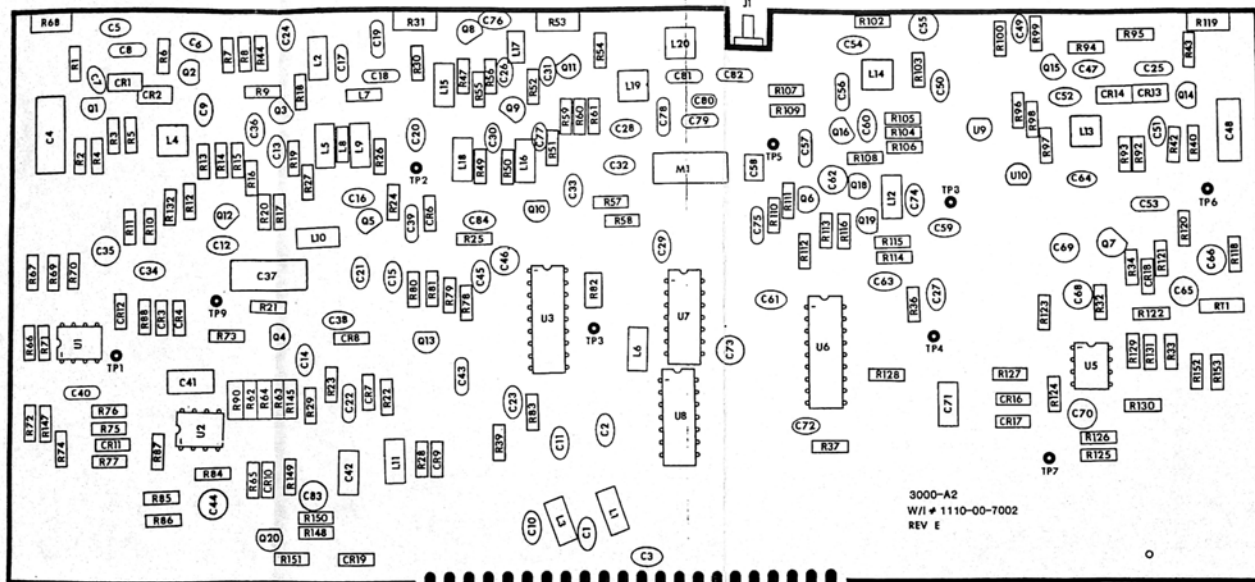


# A1 MIXER BOARD

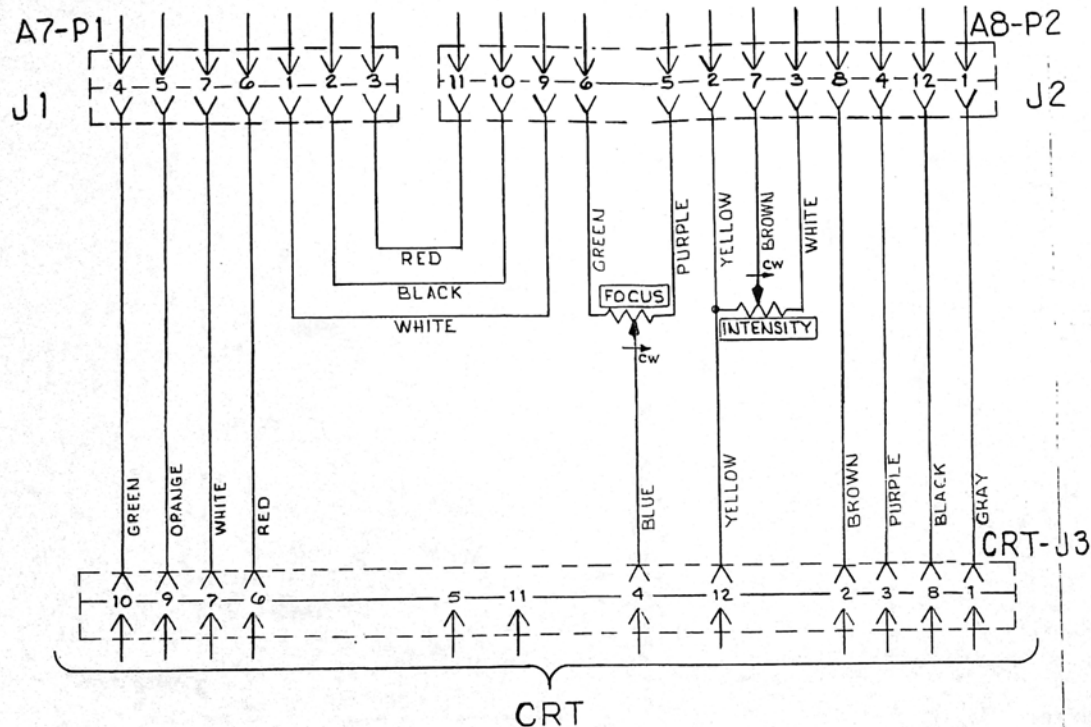
MIXER BOARD A1.E REV.



A2



3000-A2  
W/ # 1110-00-7002  
REV E



THIS DOCUMENT CONTAINS INFORMATION PROPRIETARY TO WAVETEK.  
 THE INFORMATION IN THIS DOCUMENT IS NOT TO BE USED OR DUPLICATED  
 IN ANY MANNER WITHOUT THE PRIOR APPROVAL IN WRITING OF WAVETEK.

**TOLERANCE:**  
 DECIMAL DIM.  $\pm .005$   
 FRACTIONAL DIM.  $\pm 1/64$   
 ANGLES  $\pm 30'$   
 UNLESS OTHERWISE  
 SPECIFIED

NO.	DESCRIPTION	BY
	REVISION	

MATERIAL:	<b>WAVETEK<sup>INDIANA</sup></b>		
	CRT INTERCONNECT WIRING-H1		
FINISH:	DRAWN BY LTS	SCALE 2	DATE 1-12-82
	CHR'D RW	DATE 1-31-82	DRAWING NO.
ARTWORK #	RELEASED BY	DATE	